

**Cardinal**  
SHOWER ENCLOSURES



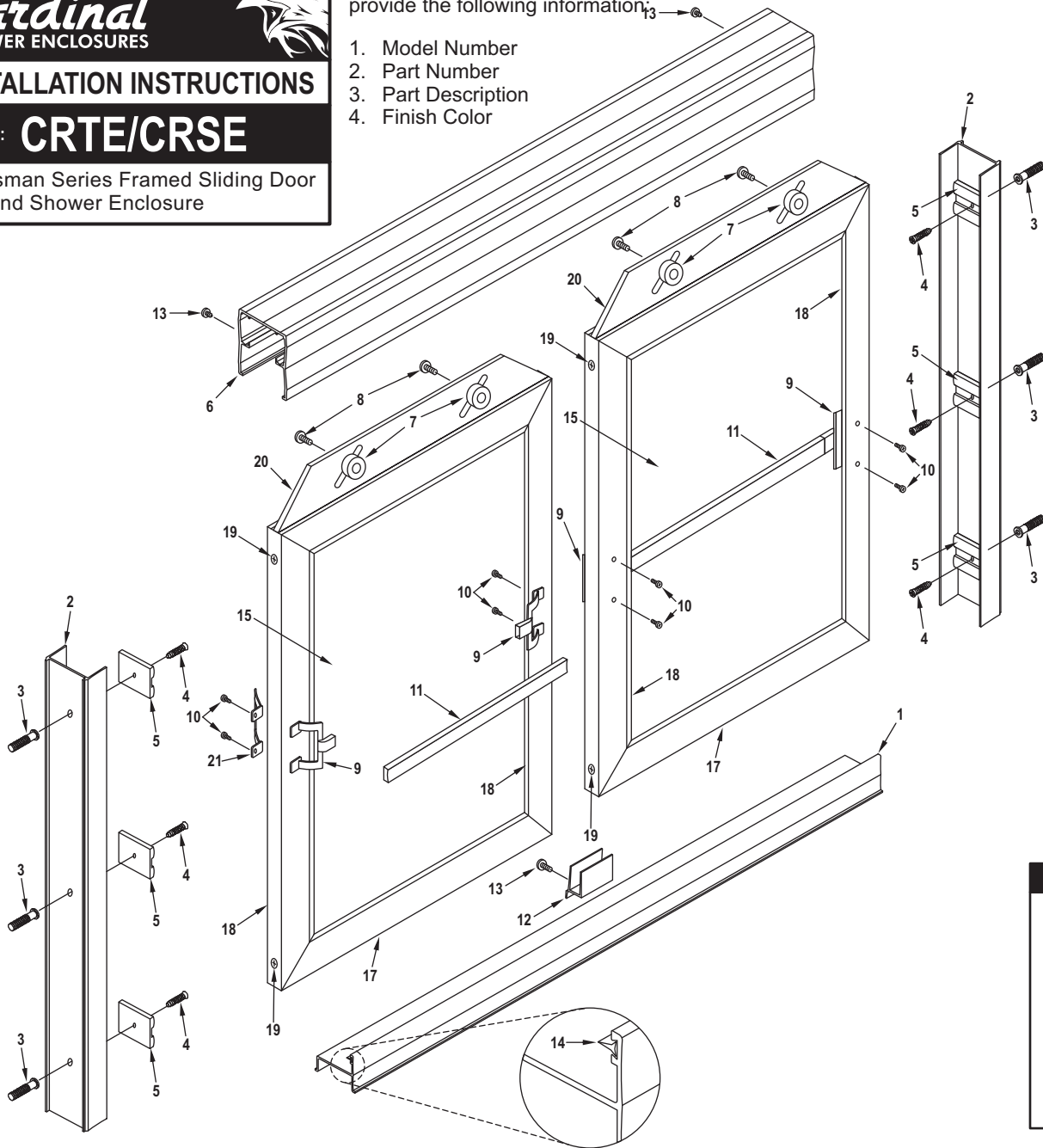
**INSTALLATION INSTRUCTIONS**

MODEL: **CRTE/CRSE**

Craftsman Series Framed Sliding Door  
Tub and Shower Enclosure

When ordering repair parts, please provide the following information:

1. Model Number
2. Part Number
3. Part Description
4. Finish Color



DESCRIPTION	QTY	PART NO.	PICTURE
1. Track	1	ZTE-9522	
2. Wall Jamb	2	ZTE-9203	
3. Wall Anchor	6	ZV-935	
4. #8 x 1-1/4" Screw	6	#8x1-1/4"	
5. Bumper	6	ZV-928	
6. Header	1	ZTE-2202	
7. Rollers	4	Rollers	
8. 8-32 x 3/8" PH SMS	4	8-32x3/8"	
9. Towel Bar Bracket	4	TowelBarBrkt	
10. #8 x 1/2"	8	#8x1/2"	
11. Towel Bar	2	ZTE-9905	
12. Vinyl Guide	1	ZV-920C	
13. #6 x 3/8" FH SMS	3	#6x3/8"	
14. Track Silencer	1	ZV-302	
15. Door Glass Panels	2		
16. Glazing Vinyl	34'	ZV-303A	
17. Bottom Door Frame	2	ZTE-9501	
18. Vertical Door Frame	4	ZTE-9507	
19. #6 x 1-1/2" Oval Head SMS	8	#6x1-1/2"	
20. Top Door Frame	2	ZTE-9508	
21. Inside Pull	1	Pull	

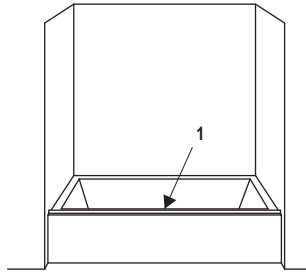
**REQUIRED TOOLS**

To install your shower enclosure, you will need the following:

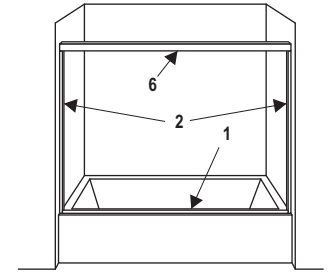
- Level
- 3/32", 9/64" AND 3/16" Drill Bit
- 3/16" Carbide Drill Bit (for tile walls)
- Phillips Screwdriver
- Silicone
- Hack Saw

**STEP 1**

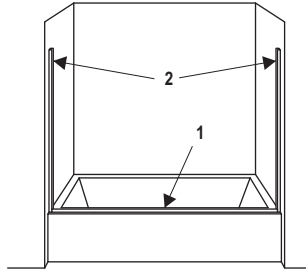
- Measure the wall to wall opening on tub or shower rim.
- Cut track (1) 1/2" less than the opening width.
- Center vinyl guide (12) on track.
- Using a 3/32" drill bit, drill holes and secure vinyl guide to track with one #6 x 3/8" flat head machine screw (13).

**STEP 5**

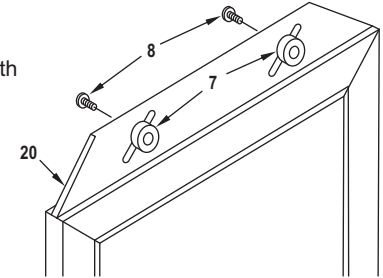
- Measure the wall to wall opening above the wall jambs.
- Cut header (6) 1/16" less than the opening.
- Place header over jambs.

**STEP 2**

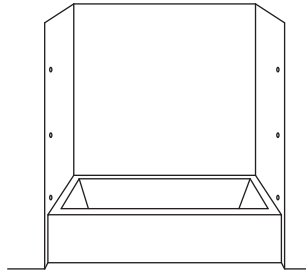
- Place track (1) on center tub rim.
- Set jambs (2) firmly in track (1) next to wall. Plumb and mark installation holes on wall. It is important that the wall jambs are plumb.
- If track does not fit flat, a slight bending of the track might be needed.

**STEP 6**

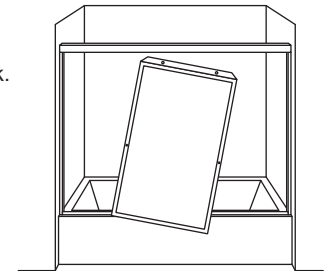
- Attach rollers (7) to brackets (20) on top of doors with four #8 -32 x 3/8" pan head machine screws (8) as shown.

**STEP 3**

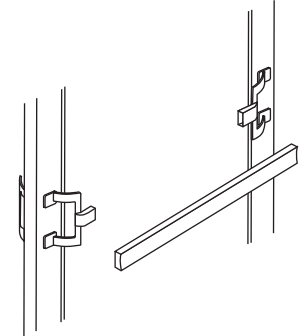
- Remove all parts.
- For **ceramic tile installations**, use a 3/16" masonry bit for drilling installation holes and install plastic wall anchors (3).
- For **fiberglass walls**, use a 1/8" drill bit for drilling installation holes.

**STEP 7**

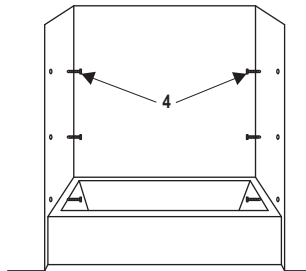
- Lift inside door into header, placing rollers down into track.
- Fit panel to wall by adjusting rollers. NOTE: Inside panel must be adjusted to the wall with the shower head.
- Use the same procedure for the outside door.

**STEP 8**

- Insert towel bar brackets (9) into towel bar ends (11).
- Insert #6-32 x 1/2" truss head machine screws (10) through door and into towel bar brackets (9).
- Towel bar is to be attached to the outside of the outside door and to the inside of the inside door to allow the doors to pass each other freely.

**STEP 4**

- Place a continuous bead of sealant to the bottom legs of track. A build of sealant on each of the tub rim (where the track is to fit) will be needed.
- Replace track in previous location. Replace jambs (2) and secure to wall with six #8 x 1-1/2" truss head sheet metal screws (4). NOTE: install bumpers with screws.

**STEP 9**

- Seal inside and outside of unit at any point unit meets wall and curb.