



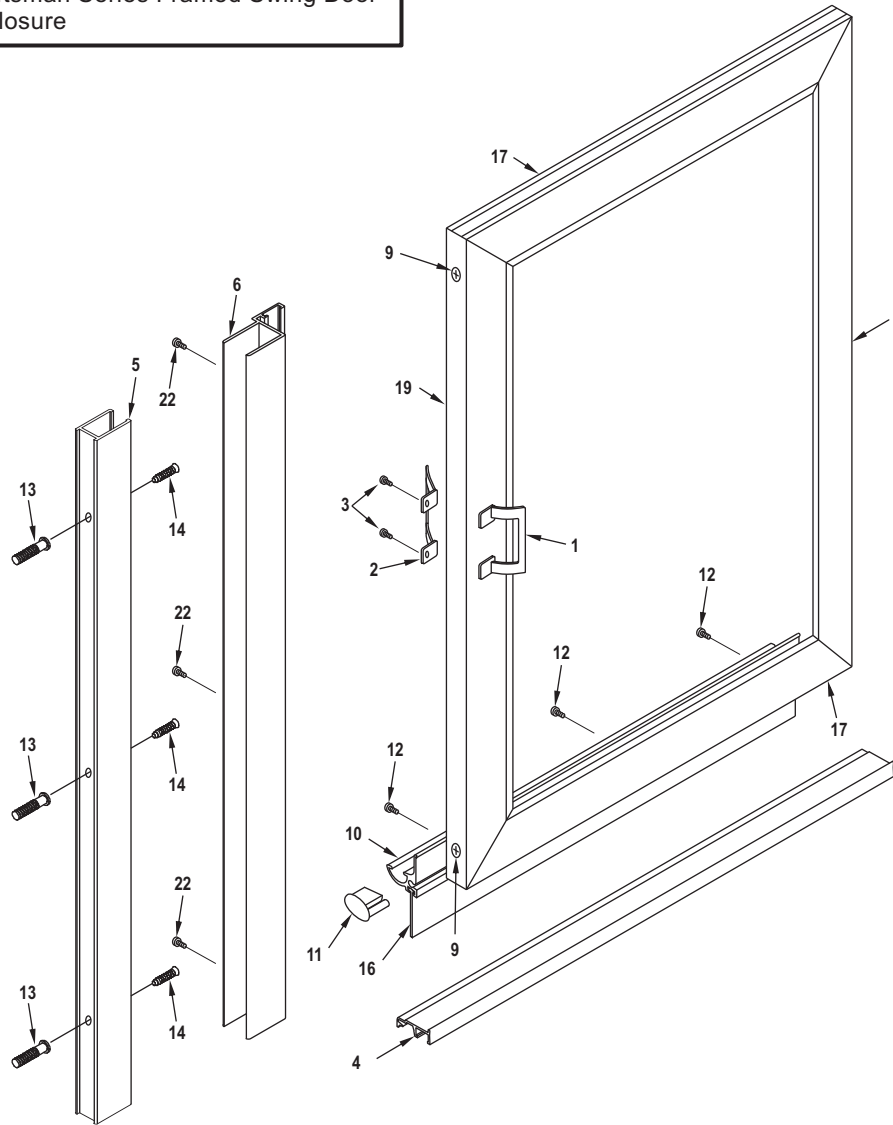
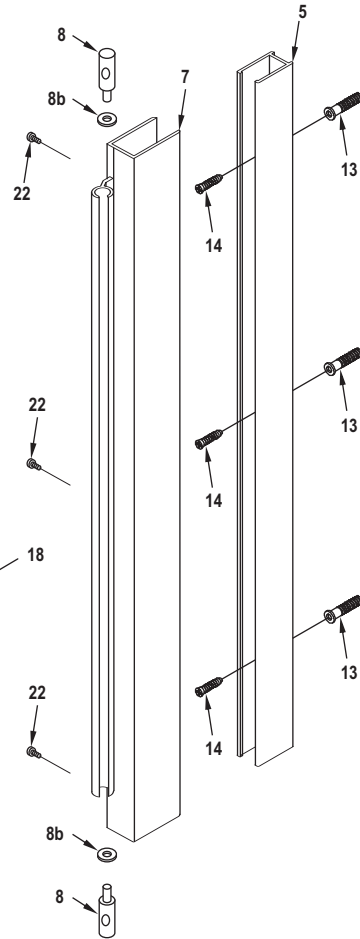
INSTALLATION INSTRUCTIONS

MODEL: **CRFD**

Craftsman Series Framed Swing Door Enclosure

When ordering repair parts, please provide the following information:

1. Model Number
2. Part Number
3. Part Description
4. Finish Color



DESCRIPTION	QTY	PART NO.	PICTURE
1. Male Pull Handle	1	Male Pull	
2. Female Pull Handle	1	Female Pull	
3. #8 x 1/2"	2	#8 x 1/2"	
4. Sill (Optional)	1	ZD-1042	
5. Wall Channel	2	ZD-1006	
6. Strike Jamb	1	ZD-3004	
7. Hinge Jamb	1	ZD-9505	
8. Hinge Pins	2	ZD-912	
8b. Pin Washers	2	Washer	
9. #8 x 1-1/4" FH SMS	4	#8x1-1/4"	
10. Drip Channel	1	ZD-9002	
11. Drip Channel Plug	2	ZD-905	
12. #6 x 1-1/2" PH SMS	2	#6x1-1/2"	
13. Wall Anchors	6	ZV-935	
14. #8 x 1-1/2" OH SMS	6	#8x1-1/2"	
15. Magnetic Strips	1	521	
16. Drip Channel Vinyl	1	ZV-904B	
17. Horizontal Glass Frame	2	ZD-9501	
18. Hinge Rail	1	ZD-9503	
19. Magnetic Glass Frame	1	ZD-9506	
20. Glazing Vinyl	17'	ZV-303A	
21. Drip Rail Tape	1	DripRailTape	
22. #6 x 3/8" PH SMS	6	#6 x 3/8"	

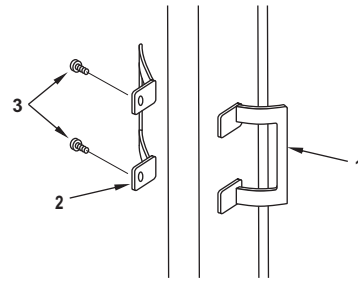
REQUIRED TOOLS

To install your shower enclosure, you will need the following:

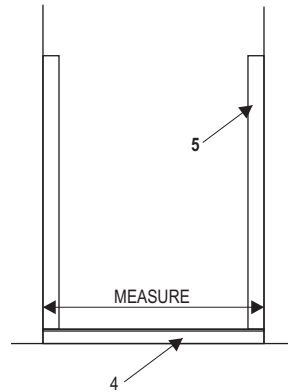
- Level
- 3/32", 9/64" AND 3/16" Drill Bit
- 3/16" Carbide Drill Bit (for tile walls)
- Phillips Screwdriver
- Silicone
- Hack Saw

STEP 1

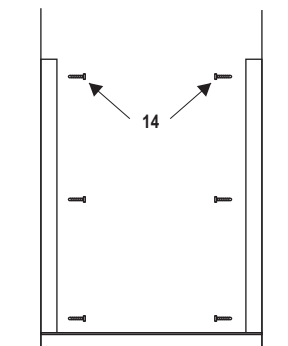
- Cut wall channels down by 1-1/8" if installing a single door.
- Assemble door handles by attaching outside door pull (1) and inside door pull (2) to door with two #8 x 1/2" screws (3). The inside door pull should be placed on the magnet side of the door.

**STEP 2**

- Measure the wall to wall opening of the shower.
- Cut sill (4) 1/16" less than opening width.
- Place sill on center of curb
- Set wall channel (5) firmly on sill (4) next to wall. Plumb and mark installation holes on the wall.
- Remove all parts.
- For **ceramic tile** installation, use 3/16" masonry bit for drilling holes and install plastic anchors (13)
- For **fiberglass walls**, drill 9/64" holes.

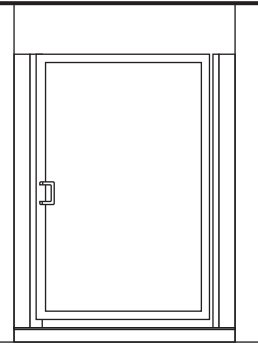
**STEP 3**

- Place a bead of sealant on each end of curb under threshold location.
- Replace sill (4) in previous location
- Replace wall channels (5) and secure to walls with six #8 x 1-1/2" oval head sheet metal screws (14).

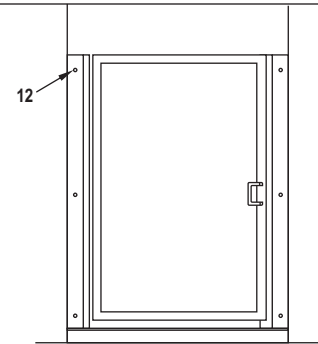
**STEP 4**

This door is reversible and can swing to the right or left. Decide which way you wish your door to swing (a right-swing door is shown).

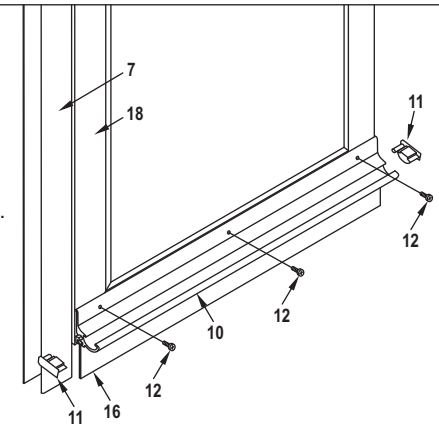
- Cut hinge jamb (7) flush with the top of door. Position strike jamb (6) over wall channel (5) with long side to inside of shower.
- Position hinge jamb (7) with door on opposite wall channel (5).
- Close door against strike jamb making sure door is flush against jamb and align door with opening.
- NOTE: If magnet does not pull door shut, reverse strike jamb magnet. Groove in magnet should match.

**STEP 5**

- From inside of shower, secure strike jamb (6) to wall channel by drilling 3/32" holes approximately 3/8" from each end and in the center.
- Secure with #6 x 3/8" pan head sheet metal screws (22).
- Secure hinge jamb (7) to wall channel (5) by drilling 3/32" holes approximately 3/8" from each end and in the center.
- Secure with #6 x 3/8" pan head sheet metal screws (22).

**STEP 6**

- Insert drip channel vinyl (16) into drip channel (10) and trim to size.
- Insert plastic drip channel plug (11) into each end of drip channel.
- With door closed, position drip channel on inside of door with a slope to the hinge side (7).
- Mark the location, then clean door thoroughly with rubbing alcohol.
- Peel protective cover off of double-face tape and install drip channel to inside of door.
- Drill three 3/32" holes from drip channel into door. IMPORTANT! Holes must be drilled a minimum of 1/2" below exposed glass.
- Secure with three #6 x 1/2" pan head sheet metal screws (12).

**STEP 7**

- Seal inside and outside of unit at any point unit meets wall and curb.