



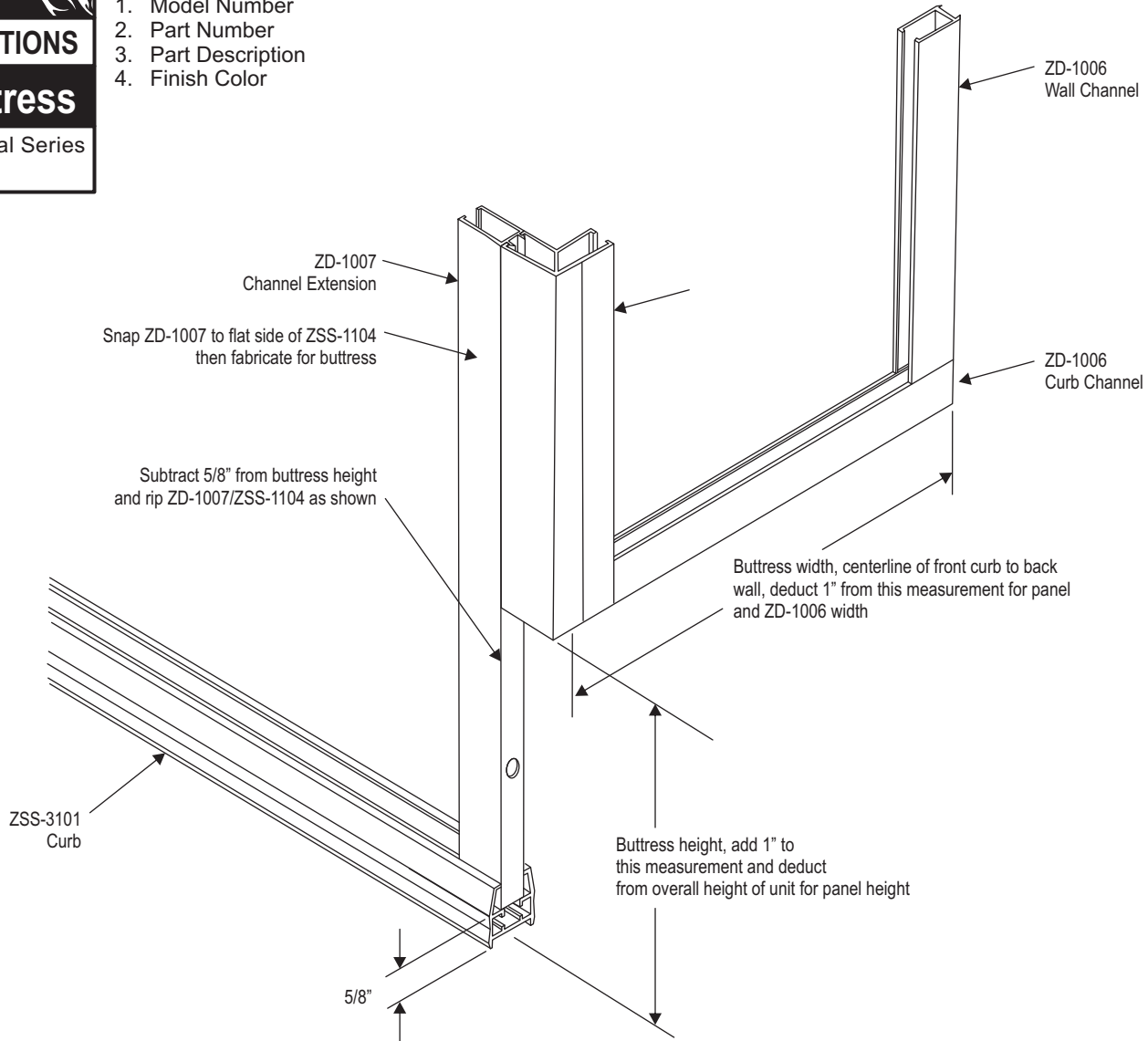
**INSTALLATION INSTRUCTIONS**

**MODEL: CD 90-36 Buttress**

Buttress Application for Cardinal Series  
Continuous Hinge Swing Door

When ordering repair parts, please  
provide the following information:

1. Model Number
2. Part Number
3. Part Description
4. Finish Color



**Cardinal**  
SHOWER ENCLOSURES



## INSTALLATION INSTRUCTIONS

MODEL: **CD 90-36 Buttress**

Buttress Application for Cardinal Series  
Continuous Hinge Swing Door

# Frameless Enclosures Model CD 90 36 Stall Shower with Door & 90 degree Panel on buttress

## Breakdown Chart For Special Height and Width CD 90 36 Buttress Units

Qty	Part # and Description	How to Arrive at Measurement
1	ZSS3101 Header Front	Unit width plus 1-3/8" (to outside edge)
1	ZSS3101 Header Return	Unit width plus 1/2" (to outside edge)
1	ZD-1006	Curb on return width minus 1"
1	ZSS-3101 Curb Front	Unit width minus 1/16"
2	ZSS-1102 Filler	Door width minus 1 7/8"
1	ZSS-1104 90 Degree Post	Unit height minus buttress height, minus 5/8"
1	ZD-1007 Snap-In Post	Unit height minus 1-1/4"
* 2	ZD-1006 Wall Channel	(1) Unit height minus 1-1/4", (1) Unit height minus buttress height, minus 1 9/16"
* 1	ZD-1004 Latch Jamb	Unit height minus 2-3/8"
* 1	ZD-2505 Hinge Jamb	Unit height minus 2-3/8"
* 1	ZD-2503 Hinge Rail	Unit height minus 3-1/4"
* 1	ZD-1002 Bottom Rail	Door width minus 3-7/8"
* 1	ZD-1008 Drip Trough	Door width minus 3 3/8"

\* These parts are from a CD pack

**(See chart for door glass width)**

### Panel Glass

1	Inline Panel	Width Height	Unit width minus door width, minus 1" Unit height minus 1"
1	Buttress Panel	Width Height	Unit width minus 1" Unit height minus buttress height, minus 1"