

**Cardinal**  
SHOWER ENCLOSURES



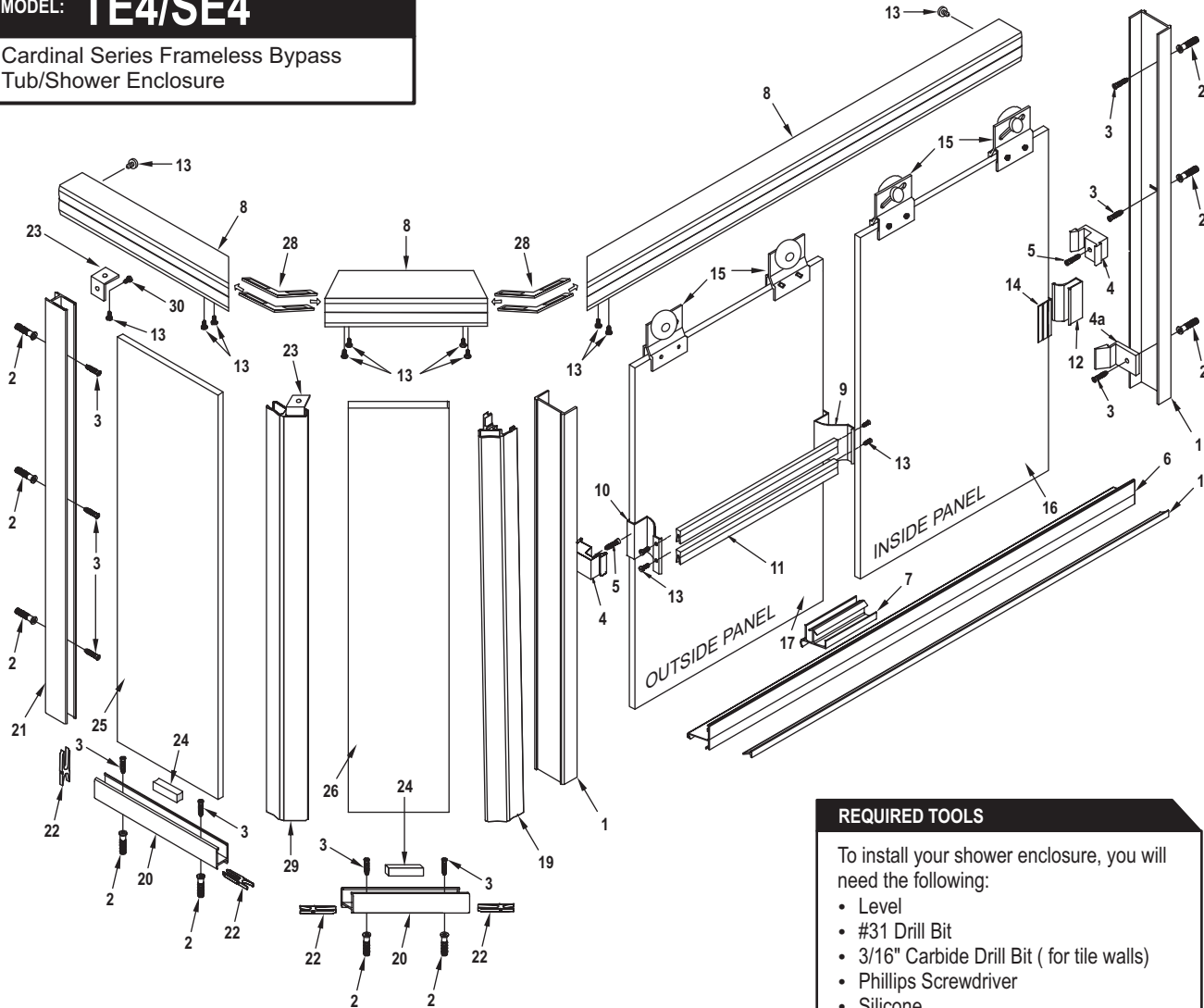
**INSTALLATION INSTRUCTIONS**

MODEL: **TE4/SE4**

Cardinal Series Frameless Bypass  
Tub/Shower Enclosure

When ordering repair parts, please provide the following information:

1. Model Number
2. Part Number
3. Part Description
4. Finish Color



**REQUIRED TOOLS**

To install your shower enclosure, you will need the following:

- Level
- #31 Drill Bit
- 3/16" Carbide Drill Bit ( for tile walls)
- Phillips Screwdriver
- Silicone
- Hack Saw
- 1/4" Box End Wrench

DESCRIPTION	QTY	PART NO.	PICTURE
1. Wall Jamba	2	ZTE-1203	
2. Wall Anchors	10	ZV-935	
3. #8 x 1-1/4" Screws	10	#8 X 1-1/4"	
4. Door Bumpers	2	ZV-924	
4A. Bottom Bumper	1	ZV-926	
5. 6-32 x 1/2" Screw	2	6-32 X 1/2"	
6. Bottom Sill	1	ZTE-1222	
7. Center Guide - 3"	1	ZV-920	
8. Header - Mitered	3	ZTE-1201	
9. Towel Bar Bracket	1	ZTE-2206	
10. Towel Bar Bracket With Pull	1	ZTE-2206P	
11. Towel Bar	2	ZTE-2205	
12. Inside Door Pull	1	ZTE-2207	
13. #6 x 3/8" Screw	14	#6 X 3/8"	
14. Handle Vinyl	3	ZV-914	
15. Roller Bracket Assembly	4	ZTE-1209	
16. Inside Glass Panel	1		
17. Outside Glass Panel	1		
18. Door Guide Vinyl with ZTE-1222	1	ZV-918	
19. 135 Degree Post	1	ZTE-1215	
20. Curb Channel	2	ZD-1006	
21. Wall Channel	1	ZD-1006	
22. Post to Curb Key	4	ZC-180	
23. Post to Header Clip	2	ZD-90	
24. Glass Support Block	3	ZV-902	
25. 90 Degree Glass Panel	1		
26. 135 Degree Glass Panel	1		
27. Vertical Seal Vinyl	12	ZV-909	
28. 135 Degree Header Clip	2	ZA-90	
29. 135 Degree Post	1	ZSS-1105	
30. 6 x 1/4 Screw	2	#6 x 1/4"	

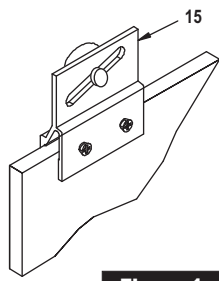


Figure 1

**NOTE: Apply a bead of silicone (GE 1200) into the open channel of roller bracket before attaching to glass. To assemble roller bracket (15) to glass, tighten screws until surface of roller bracket is depressed 1/32" (28 inch pounds of torque). Allow to cure for 24 hours before hanging sliders.**

1. Using a straight edge, draw a line down the center of the tub or pan curb. Draw a parallel line 3/4" to outside of center line. The new line represents the outside dimension of the unit. Use this line for placement and cutting both 135 degree curb channels (20).

2. Measure out from wall (and panel side) to intersection of diagonal panel deduct 15/16" and use this measurement to cut 135 degree curb channel (20) to length. Apply bead of silicone full length to underside of curb channel (20) and set in place (weep holes to inside).

3. Set wall channel (21) in place on curb channel, hold plumb and mark the wall for the screw hole locations. Drill holes and insert plastic screw anchors (2). Fill curb channel with silicone where curb channel meets wall, set wall channel (21) in place and secure with #8 x 1-1/4" screws (3). Secure header clip (23) to top inside leg of wall channel with #6 x 1/4" SMS (30).

4. Place glass support block (24) in 135 degree curb channel. Set panel (25) into place in curb channel and wall channel. Hold in place, at top only with vertical seal vinyl (27).

5. Silicone curb where 135 degree post (19) will set. Insert post to curb key (22) into end of 90 degree curb channel (20) and set post in place over edge of panel. Hold plumb and secure in place at top only, with small wedge vinyl. Secure header clip (23) with a #6 x 1/4" screw (30).

6. Measure from post to point where diagonal and front curb lines meet. Deduct 7/8" from the measurement to cut 135 degree curb channel (20) to length. If contoured service of 135 degree post is on this center panel, compress short legs of post curb key about 1/16" and drop down into position from the top of the 135 degree post, secure 135 degree curb channel in place just like 90 degree curb channel. Place glass support block (24) in place in curb channel. Set panel (26) in curb channel and 135 degree post (19). Hold in place, at top only, with small wedge vinyl. Insert post to curb key (22) into end of curb channel.

7. Silicone curb where 135 degree slider post (19) will set. Set post in place over edge of panel, hold plumb and secure in place, at top only, with small wedge vinyl (27).

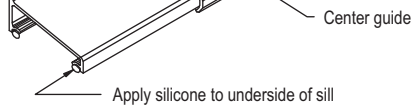
8. Set jamb (1) in place at wall opposite end panels, hold plumb and mark screw hole locations. Drill holes in wall and insert plastic anchors (2). Apply silicone where curb meets wall, set jamb in place and secure with #8 x 1-1/4" SMS (3). Secure

bottom bumper with bottom jamb screw.

9. Measure from inside of jamb to inside of 135 degree slider post (19) and use this measurement to cut guide to length. Slide or snap center guide (7) onto guide to one side of center. Run bead of caulk full length to underside of guide also to inside of jamb and post to seal end of guide, then press guide firmly in place.

10. Cut center section of header (8) to length and assemble header using 135 degree clips (28) and 6 x 3/8" SMS (13). Cut header (8) to length and set in place over jambs, post and wall channel. Secure header to jamb and slider post with #6 x 3/8" screws (13) from INSIDE of shower. Secure 135 degree post (19) and wall channel to header with clip (23) using #6 x 3/8" (13) screws. Insert vertical seal vinyl into wall channels on both sides of panel.

11. Secure bumpers (4) with 6-32 x 1/2" screws (5). Raised portion of bumpers to



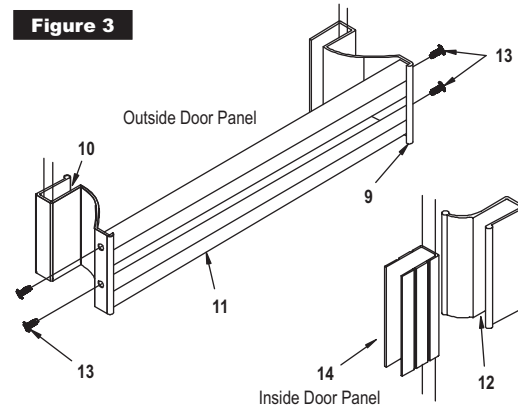
bottom bumper with bottom jamb screw.

9. Measure from inside of jamb to inside of 135 degree slider post (19) and use this measurement to cut guide to length. Slide or snap center guide (7) onto guide to one side of center. Run bead of caulk full length to underside of guide also to inside of jamb and post to seal end of guide, then press guide firmly in place.

10. Cut center section of header (8) to length and assemble header using 135 degree clips (28) and 6 x 3/8" SMS (13). Cut header (8) to length and set in place over jambs, post and wall channel. Secure header to jamb and slider post with #6 x 3/8" screws (13) from INSIDE of shower. Secure 135 degree post (19) and wall channel to header with clip (23) using #6 x 3/8" (13) screws. Insert vertical seal vinyl into wall channels on both sides of panel.

11. Secure bumpers (4) with 6-32 x 1/2" screws (5). Raised portion of bumpers to

Figure 3



Using a 1/4" box-end wrench, loosen the screws on the rollers, but don't remove completely. When screws are loose, adjust panel by sliding the screw in the slot. NOTE: when screws are loose be sure to support panel so it does not fall and break. Adjust inside slider as low as possible to reduce the gap between bottom of slider and sill taking care that the glass does not drag on the track or center guide. Adjust for bowed glass by using the slotted hole in the jamb. Secure bumpers to the jambs using 6-32 x 1/2" screw (5).

15. Set handle vinyl channel (14) in place over edge of outside glass panel (17) with bottom of vinyl in line with bottom of bumper. Tap towel bar brackets (9 & 10) in place. Bracket with no pull should be to jamb side of slider opposite of shower head. Assemble towel bars (11) to bracket using #6 x 3/8" SMS (13). (See Figure 3)

16. Set handle to vinyl in place over edge of inside glass panel with bottom of vinyl in line with bottom of bumper on edge facing the wall jamb. Tap inside door pull (12) into place. NOTE: Large portion of pull to inside of slider.

17. Silicone inside of shower where jambs meet walls and sill meets rim of tub or pan.

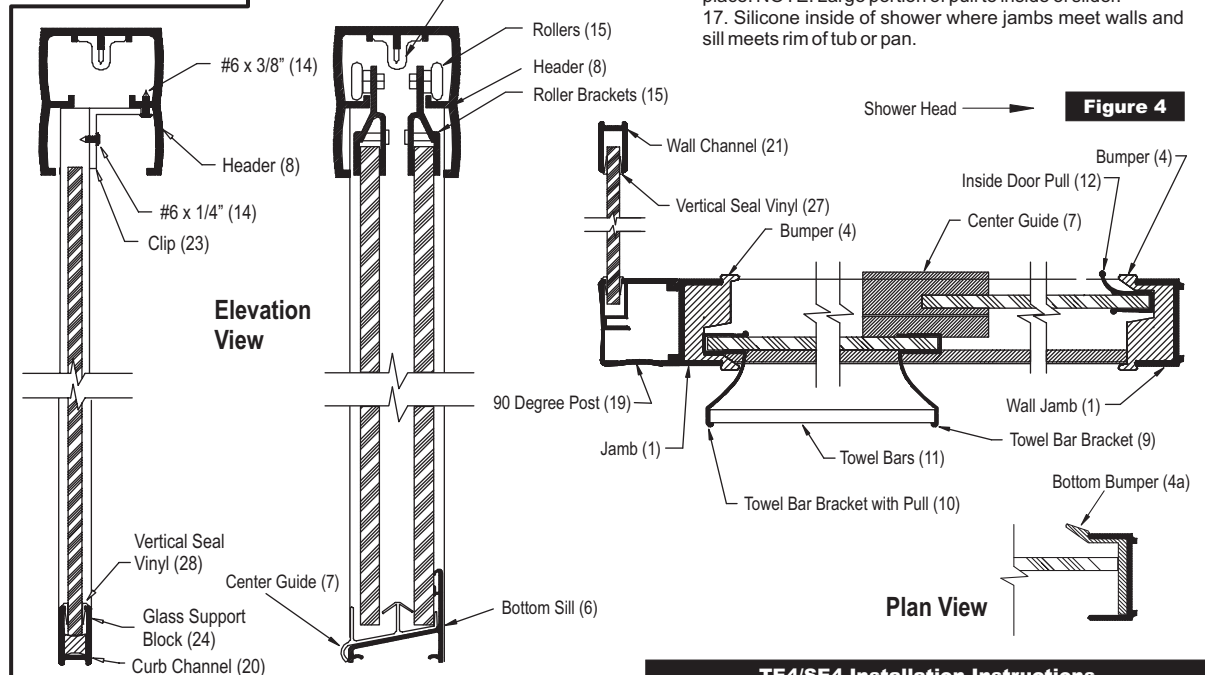


Figure 4



**INSTALLATION INSTRUCTIONS**

MODEL: **TE4/SE4**

Cardinal Series Frameless Bypass  
Tub/Shower Enclosure

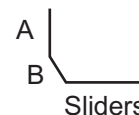
# Frameless Enclosures

Model TE-4 Tub Enclosure  
Model SE-4 Shower Enclosure

Model #	Width	2-135 Degree Panels	Height	Max. Glass Size
TE-4	42" to 60"	1-12" / 1-24"	57 3/8"	2-30" x 55" 1-11 1/2" x 55 3/8" 1-23 1/4 x 55 3/8"
SE-4	42" to 60"	36"	70 3/8"	2-30" x 68" 1-11 1/2" x 68 3/8" 1-23 1/4 x 68 3/8"

## Breakdown Chart for Special Height and Width TE-4 & SE-4 Units

QTY.	Part# & Description	How to arrive at measurement
1	ZTE 1201 Header	Unit width (slider & returns) mitered
2	ZTE 1203 Jambs	Unit height minus 1 1/8"
2	ZTE 2205 Towel Bars	Glass width (see chart above) minus 1/4"
1	ZTE 1222 Bottom Track	Slider width minus panel width, minus 7/16"
1	ZTE 1215 135 Degree Post	Unit height minus 1 1/8"
2	ZD 1006 Curb	Return width
1	ZD 1006 Back wall vertical	Unit height minus 2 1/16"
1	ZSS 1105 135 Degree Post	Unit height minus 1 1/8"
<b>Glass</b>		
2	Slider width	Unit width, divided by 2
	height	Unit width minus 2 3/8"
1	Stationary panel "A" width	Return width minus 3/4"
	height	Unit height minus 2"
1	Stationary panel "B" width	Return width minus 1/2"
	height	Unit height minus 2"



This page intentionally left blank