

**Cardinal**  
SHOWER ENCLOSURES



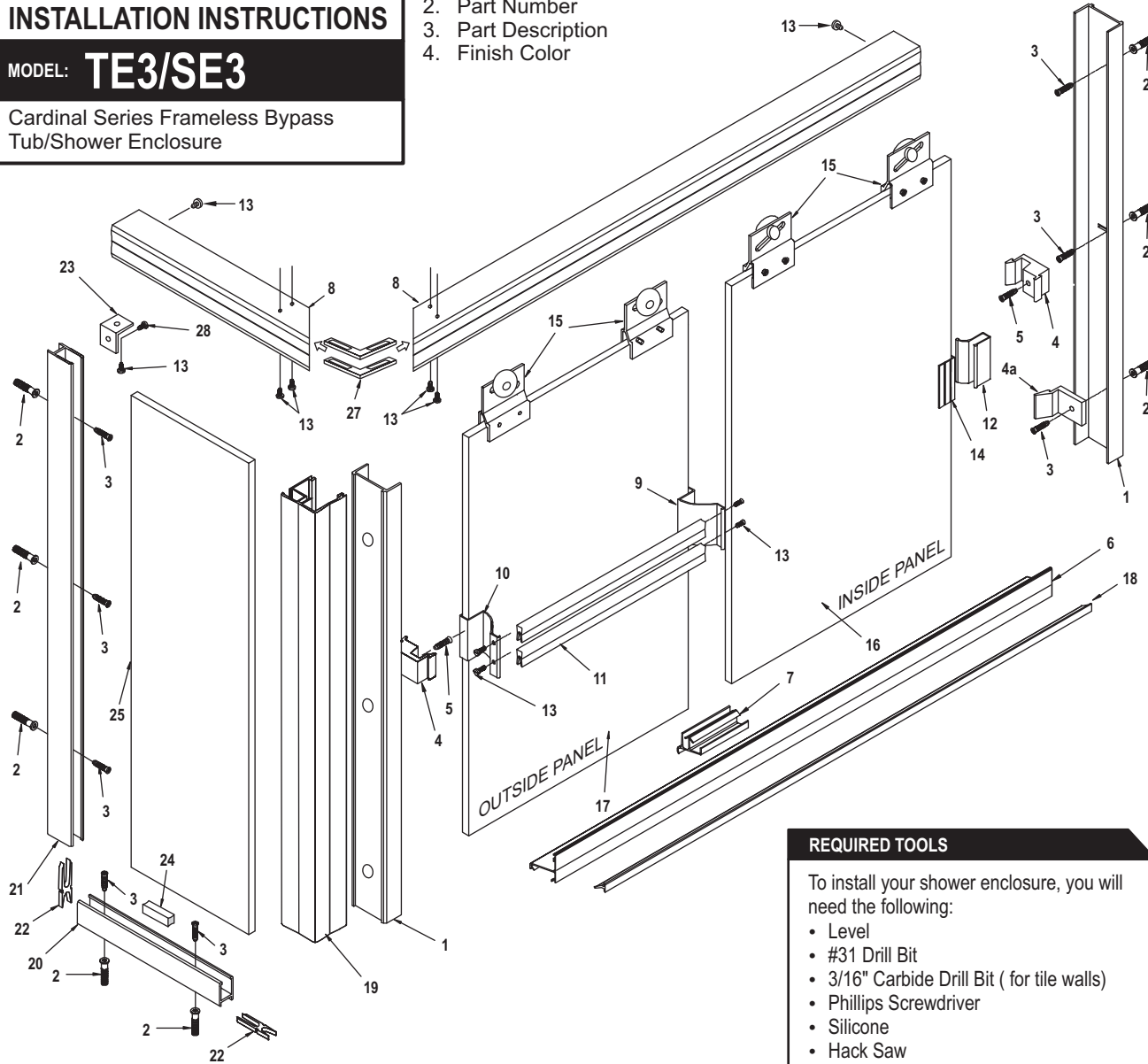
**INSTALLATION INSTRUCTIONS**

MODEL: **TE3/SE3**

Cardinal Series Frameless Bypass  
Tub/Shower Enclosure

When ordering repair parts, please provide the following information:

1. Model Number
2. Part Number
3. Part Description
4. Finish Color



**REQUIRED TOOLS**

To install your shower enclosure, you will need the following:

- Level
- #31 Drill Bit
- 3/16" Carbide Drill Bit ( for tile walls)
- Phillips Screwdriver
- Silicone
- Hack Saw
- 1/4" Box End Wrench

| DESCRIPTION                        | QTY | PART NO.    | PICTURE |
|------------------------------------|-----|-------------|---------|
| 1. Wall Jamba                      | 2   | ZTE-1203    |         |
| 2. Wall Anchors                    | 8   | ZV-935      |         |
| 3. #8 x 1-1/4" Screws              | 11  | #8 X 1-1/4" |         |
| 4. Door Bumpers                    | 2   | ZV-924      |         |
| 4A. Bottom Bumper                  | 1   | ZV-926      |         |
| 5. 6-32 x 1/2" Screw               | 2   | 6-32 X 1/2" |         |
| 6. Bottom Sill                     | 1   | ZTE-1222    |         |
| 7. Center Guide - 3"               | 1   | ZV-920      |         |
| 8. Header - Mitered                | 2   | ZTE-1201    |         |
| 9. Towel Bar Bracket               | 1   | ZTE-2206    |         |
| 10. Towel bar Bracket With Pull    | 1   | ZTE-2206P   |         |
| 11. Towel Bar                      | 2   | ZTE-2205    |         |
| 12. Inside Door Pull               | 1   | ZTE-2207    |         |
| 13. #6 x 3/8" Screw                | 11  | #6 X 3/8"   |         |
| 14. Handle Vinyl                   | 3   | ZV-914      |         |
| 15. Roller Bracket Assembly        | 4   | ZTE-1209    |         |
| 16. Inside Glass Panel             | 1   |             |         |
| 17. Outside Glass Panel            | 1   |             |         |
| 18. Door Guide Vinyl with ZTE-1222 | 1   | ZV-918      |         |
| 19. 90 Degree Post                 | 1   | ZTE-1214    |         |
| 20. Curb Channel                   | 1   | ZD-1006     |         |
| 21. Wall Channel                   | 2   | ZD-1006     |         |
| 22. Post to Curb Key               | 2   | ZC-180      |         |
| 23. Post to Header Clip            | 1   | ZD-90       |         |
| 24. Glass Support Block            | 1   | ZV-902      |         |
| 25. 90 Degree Glass Panel          | 1   |             |         |
| 26. Vertical Seal Vinyl            | 6   | ZV-909      |         |
| 27. 90 Degree Header Clip          | 2   | ZA-90       |         |
| 28. #6 x 1/4" Screw                | 1   | #6 x 1/4"   |         |

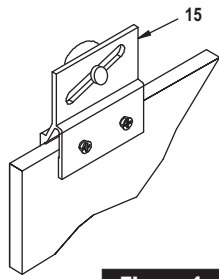


Figure 1

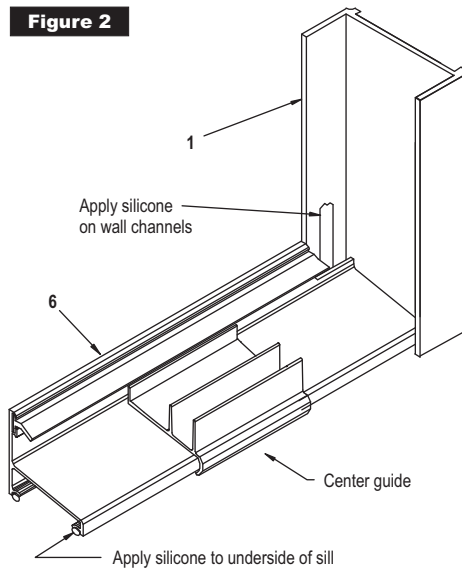
**NOTE: Apply a bead of silicone (GE 1200) into the open channel of roller bracket before attaching to glass. To assemble roller bracket (15) to glass, tighten screws until surface of roller bracket is depressed 1/32" (28 inch pounds of torque). Allow to cure for 24 hours before hanging sliders.**

- Using a straight edge, draw a line down the center of the tub rim or pan curb. (The lines should cross in the front corner).
- Set jamb (1) in place on wall, centering bottom of jamb on rim of tub. Hold plumb and mark for screw holes.
- Remove jamb (1) and drill 3/16" holes and insert plastic screw anchors (2).
- Silicone where the wall meets the rim of the tub to seal bottom corner of jamb. Set jamb (2) in place and secure with #8 x 1-1/4" screws (3). Secure bottom bumper (4a) on shower head side with bottom jamb screw.

5. Measure, on end panel side, from back wall to center of front corner where lines cross. Deduct 3/4" from this measurement and cut curb channel (20) to length. Run a bead of silicone on underside of curb channel and set curb channel in place of center of curb, (weep holes to inside). Slide post to curb key (22) onto curb channel (20) and move to the wall. Vertical wall channel will key over exposed end.

6. Set wall channel (21) on curb channel, hold plumb and mark the wall for the screw hole locations. Remove wall channel, drill holes into the wall and insert plastic anchors (2). Fill curb channel with silicone where curb channel meets wall and set wall channel in place. Secure with #8 x 1-1/4" SMS (3). Secure header clip (23) to top inside leg of header with #6 x 3/8" screw (13) to wall channel with #6 x 1/4" (28) screw.

Figure 2



7. Place glass support block (24) in center of the curb channel. Set panel (25) in place in curb channel and wall channel. Insert vertical seal vinyl (26) into wall channel on both sides of the panel.

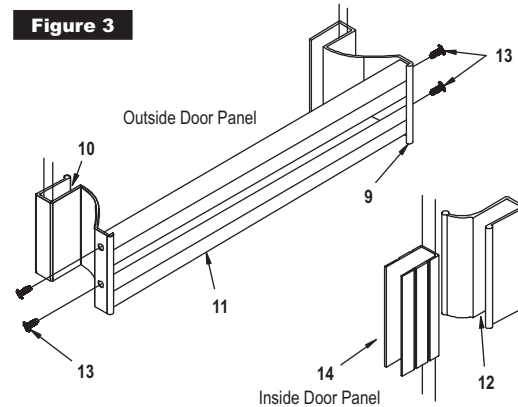
8. Insert clip (22) into curb channel and apply a layer of silicone to curb where 90 degree post will set. Set 90 degree post (19) in place over edge of panel glass and curb clip, hold plumb and insert vertical seal vinyl (26) into post and curb channel on both sides of panel glass.

9. Measure from inside of wall jamb to inside of 90 degree post and use this measurement to cut sill (6) to length. Run a bead of silicone full length to underside of sill and apply silicone in corners where wall jamb and 90 degree post meet curb and press guide firmly into place on curb.

10. Assemble header (8) using 90 degree clips (27) and #6 x 3/8" SMS (13). Measure from both walls to outside corner of 90 degree post (plumb in both directions) and add 3/16" to this measurement for header length. Cut header to length and set in place over jamb (1), 90 degree post (19) and wall channel (21). Secure header to jamb and 90 degree post from inside of shower with #6 x 3/8" SMS.

11. To set slider glass in place, hold inside slider panel (16) inside of tub or shower pan, insert rollers up into header and lower into place. Next, insert lower end of outside slider (17) in front of inside slider by pushing lower ends for enough in to allow clearance on inside edge of tub or pan. Avoid roller bracket to roller bracket contact while lifting panel into place. The outside slider will close against the jamb opposite the shower head.

Figure 3



**NOTE: Glass panels close into the recessed portion of bumpers (4). The recess is toward the inside of the tub on the shower head jamb and toward the outside on the corner post.**

15. Set handle vinyl channel (14) in place over edge of outside glass panel (17) with bottom of vinyl in the line with bottom of bumper. Tap towel bar brackets (9 & 10) in place. Bracket with no pull (10) should be to jamb side of slider opposite shower head. Assemble towel bars (11) to bracket using #6 x 3/8" SMS (13).

16. Set handle in vinyl (14) in place over edge of inside glass panel (16) with bottom of vinyl in line with bottom of bumper on edge facing the wall jamb. Tap inside door pull (12) in place. **NOTE: Large portion of pull to inside of slider.**

17. Silicone inside of shower where jambs meet walls and sill meets rim of tub.

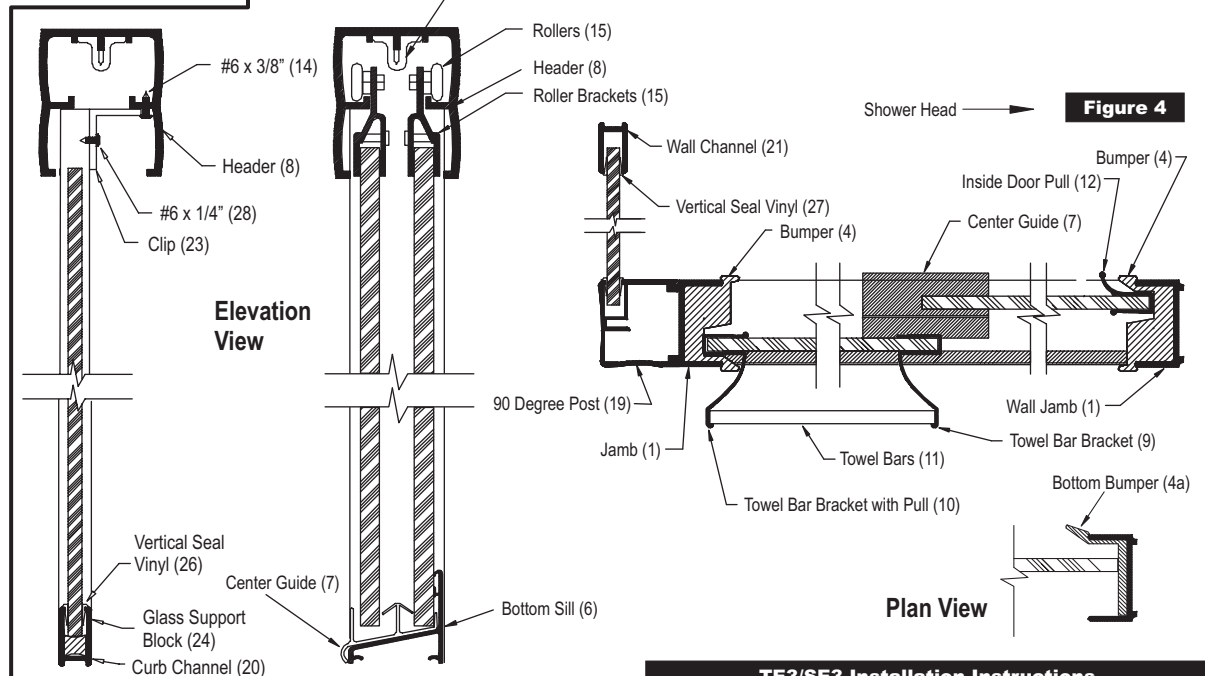


Figure 4

**Cardinal**  
SHOWER ENCLOSURES



## INSTALLATION INSTRUCTIONS

MODEL: **TE3/SE3**

Cardinal Series Frameless Bypass  
Tub/Shower Enclosure

# Frameless Enclosures

Model TE-3 Tub Enclosure  
Model SE-3 Shower Enclosure

| <u>Model #</u> | <u>Width</u> | <u>Inline Panel</u> | <u>Height</u> | <u>Max. Glass Size</u>          |
|----------------|--------------|---------------------|---------------|---------------------------------|
| TE-3           | 42" to 60"   | 36"                 | 57 3/8"       | 2-30" x 55" & 35 1/4" x 55 3/8" |
| SE-3           | 42" to 60"   | 36"                 | 70 3/8"       | 2-30" x 68" & 35 1/4" x 68 3/8" |

## Breakdown Chart for Special Height and Width TE-3 & SE-3 Units

| <u>QTY.</u>  | <u>Part# &amp; Description</u>   | <u>How to arrive at measurement</u>                                   |
|--------------|----------------------------------|---|
| 2            | ZTE 1201 Header                  | Unit width, front return mitered                                      |
| 2            | ZTE 1203 Jambs                   | Unit height minus 1 1/8"  |
| 2            | ZTE 2205 Towel Bars              | Glass width (see chart above) minus 1/4"                              |
| 1            | ZTE 1222 Bottom Track            | Unit width minus panel width, minus 7/16"                             |
| 1            | ZTE 1214 90 Degree Post          | Unit height minus 1 1/8"  |
| 1            | ZD 1006 Curb                     | Return width  |
| 1            | ZD 1006 Back wall vertical       | Unit height minus 2 1/16"   |
| <b>Glass</b> |                                  |   |
| 2            | Slider width<br>height           | Unit width minus panel width, divided by 2<br>Unit width minus 2 3/8" |
| 1            | Stationary panel width<br>height | Return width minus 3/4"<br>Unit height minus 2"                       |