



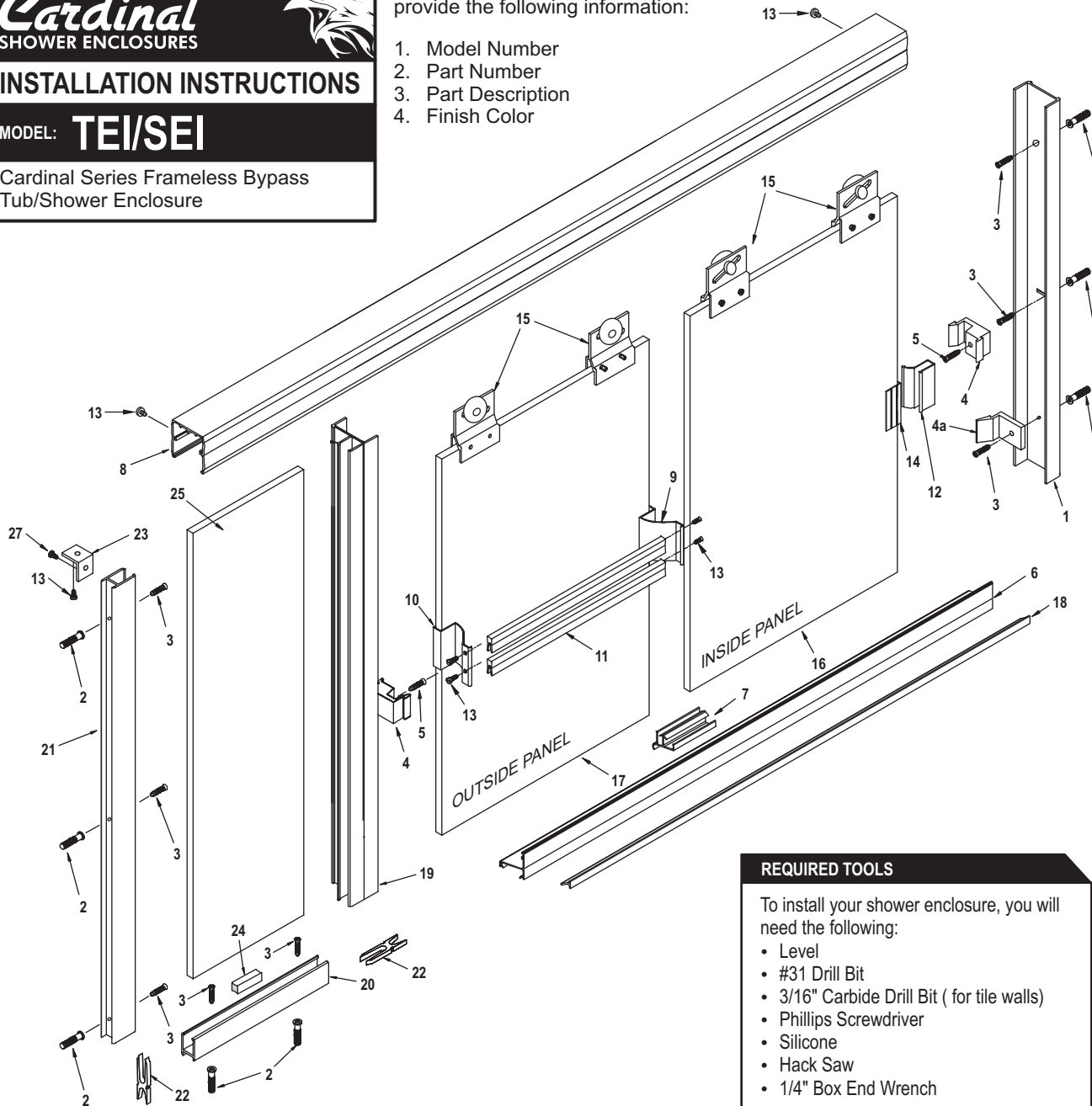
# INSTALLATION INSTRUCTIONS

MODEL: **TEI/SEI**

Cardinal Series Frameless Bypass Tub/Shower Enclosure

When ordering repair parts, please provide the following information:

1. Model Number
2. Part Number
3. Part Description
4. Finish Color

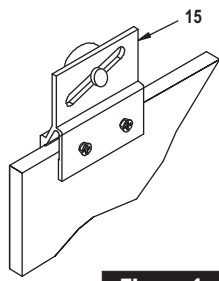


**REQUIRED TOOLS**

To install your shower enclosure, you will need the following:

- Level
- #31 Drill Bit
- 3/16" Carbide Drill Bit ( for tile walls)
- Phillips Screwdriver
- Silicone
- Hack Saw
- 1/4" Box End Wrench

DESCRIPTION	QTY	PART NO.	PICTURE
1. Wall Jamb	1	ZTE-1203	
2. Wall Anchors	8	ZV-935	
3. #8 x 1-1/4" Screws	9	#8 X 1-1/4"	
4. Door Bumpers	2	ZV-924	
4A. Bottom Bumper	1	ZV-926	
5. 6-32 x 1/2" Screw	2	6-32 X 1/2"	
6. Bottom Sill	1	ZTE-1222	
7. Center Guide-3"	1	ZV-920	
8. Header	1	ZTE-1201	
9. Towel Bar Bracket	1	ZTE-2206	
10. Towel Bar Bracket With Pull	1	ZTE-2206P	
11. Towel Bar	2	ZTE-2205	
12. Inside Door Pull	1	ZTE-2207	
13. #6 x 3/8" Screw	7	#6 X 3/8"	
14. Handle Vinyl	3	ZV-914	
15. Roller Bracket Assembly	4	ZTE-1209	
16. Inside Glass Panel	1		
17. Outside Glass Panel	1		
18. Curb Vinyl for ZTE-1222	1	ZV-918	
19. 180-Degree Post	1	ZTE-1218	
20. Curb Channel	1	ZD-1006	
21. Wall Channel	1	ZD-1006	
22. Post to Curb Key	2	ZC-180	
23. Post to Header Clip	1	ZD-90	
24. Glass Support Block	1	ZV-902	
25. Glass Panel	1		
26. Vertical Seal Vinyl	6	ZV-909	
27. #6 x 1/4" Screw	1	#6x1/4	



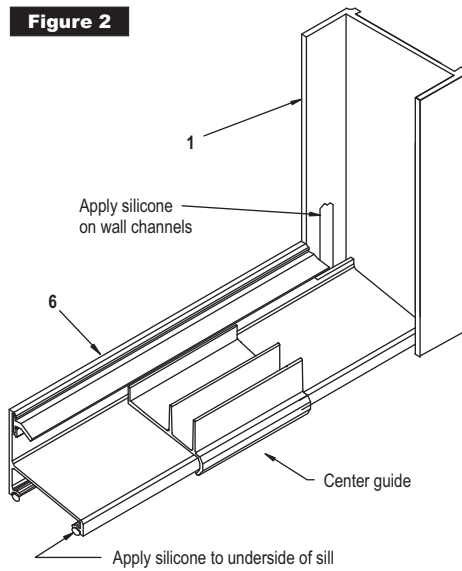
**Figure 1**

**NOTE: Apply a bead of silicone (GE 1200) into the open channel of roller bracket before attaching to glass. To assemble roller bracket (15) to glass, tighten screws until surface of roller bracket is depressed 1/32" (28 inch pounds of torque). Allow to cure for 24 hours before hanging sliders.**

1. Set wall jambs (1) in place on walls, centering bottom of jamb on rim of tub. Hold plumb and mark walls for screw holes.
2. Remove and drill 3/16" diameter holes in walls (use a carbide tipped drill bit for tile walls). Insert plastic wall anchors (2) into holes. Silicone where the wall meets the rim of the tub to seal of the bottom of jamb. Set jamb in place and secure to the wall with #8 x 1-1/4" screws (3). Secure bottom bumper (4a) on shower head / inside side with the bottom wall jamb screw (3).

3. Cut bottom sill (6) 7/16" smaller than the slider opening. Run a bead of silicone full length to the underside of sill (6) and apply silicone to inside of jamb where jamb meets tub. On side of jamb, run a 1/4" bead of silicone 1-1/4" up the outside leg of each wall jamb (See Figure 2). Set sill in place and press firmly to rim of tub. Wipe off any excess silicone before curing.
4. Hold 180-Degree post (19) in place over end of guide and measure from post to wall to arrive at curb channel length. Cut curb channel (20) to length and set in place, weep hole(s) to inside. Apply a bead of silicone to underside of curb channel and insert post curb key (22) into end of curb channel.
5. Set wall channel (21) on curb channel, hold plumb and mark the wall for screw holes. Remove wall channel, drill holes into the wall and insert screw anchors. Fill curb channel with silicone where curb channel meets wall. Set wall channel in place and secure with #8 x 1-1/4" screws (3). Secure clip (23) to top inside leg of wall channel with #6 x 1/4" screw (27).

**Figure 2**



6. Place glass support block (24) in center of the curb channel. Set panel (25) into place in curb channel into wall channel. Using the vertical seal vinyl (26) tack panel into place.
7. Silicone curb between guide and curb channel to provide a seal for the bottom of the post. Fill channel of the post with silicone, opposite the bumper location. Set post into place on curb and over edge of panel. Be sure post to curb key inserts into the channel of the post. Tack post in place at top only with vertical seal vinyl.
8. Cut header (8) to length and set in place over jamb, post and wall channel. Hold post plumb and secure to INSIDE leg of header with #6 x 3/8" screw (13). Secure header at walls to INSIDE of leg jamb and to clip on the wall channel with #6 x 3/8" (13) to header and #6 x 1/4" (27) to wall channel.

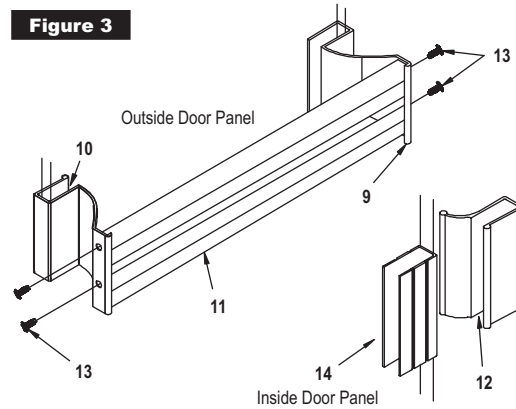
9. Insert vertical seal vinyl (26) into wall channel, post and cut channel on both sides of panel.
10. To set slider glass in place, hold inside slider panel (16) inside of tub or shower pan, insert rollers up into header and lower into place. Next, insert lower end of outside slider (17) in front of inside slider by pushing lower end far enough in, to allow clearance on inside edge of tub or pan. Avoid roller bracket to roller bracket contact while lifting panel into place. The outside slider will close against the jamb

opposite the shower head.

11. Place center guide (7) to center position on sill. make sure the center guide is hooked into the slot position on the sill then snap center guide to sill.
12. Close panels and adjust to align the vertical edge of panels with jamb and post. Using a 1/4" box-end wrench, loosen the screws on the rollers, but don't remove completely. When screws are loose, adjust panel by sliding the screw in the slot. NOTE: When screws are loose be sure to support panel so it does not fall and break. Adjust the inside slider as low as possible to reduce the gap between bottom of slider and sill taking care that the glass does not drag on the track or center guide. Adjust for bowed glass by using the slotted hole in the jamb. Secure bumpers to the jambs using 6-32 x 1/2"

13. Set handle vinyl channel (14) in place over edge of outside glass panel (17) with bottom vinyl in line with bottom of bumper. Tap towel bar brackets (9 & 10) in place. Bracket with pull should be to jamb side of slider opposite shower head. Assemble towel bars (11) to bracket using #6 x 3/8" SMS (13). (See Figure 3)
14. Set handle in vinyl in place over edge of inside glass panel (16) with bottom of vinyl in line with bottom of bumper edge facing the wall jamb. Tap inside door pull (12) in place. NOTE: Large portion of pull to inside of slider.
15. Silicone inside of shower where jambs meet walls and sill meets rim of tub.

**Figure 3**

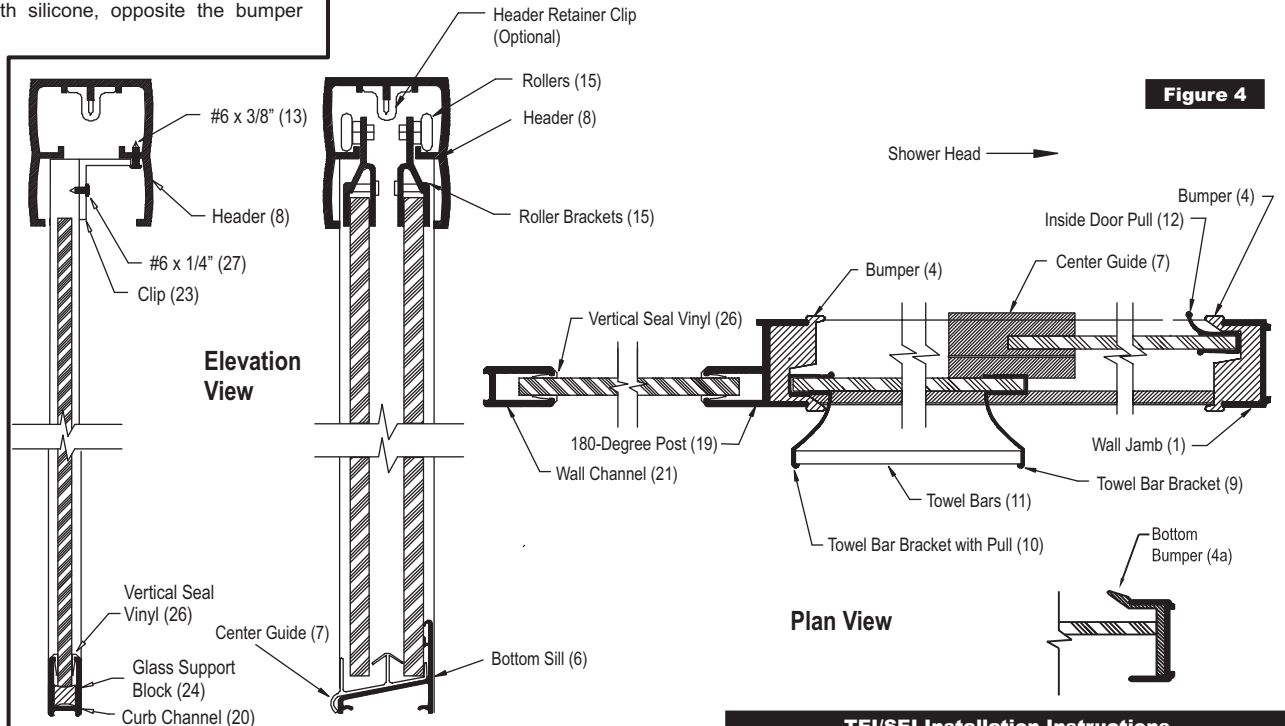


screw (5).

13. Set handle vinyl channel (14) in place over edge of outside glass panel (17) with bottom vinyl in line with bottom of bumper. Tap towel bar brackets (9 & 10) in place. Bracket with pull should be to jamb side of slider opposite shower head. Assemble towel bars (11) to bracket using #6 x 3/8" SMS (13). (See Figure 3)
14. Set handle in vinyl in place over edge of inside glass panel (16) with bottom of vinyl in line with bottom of bumper edge facing the wall jamb. Tap inside door pull (12) in place. NOTE: Large portion of pull to inside of slider.
15. Silicone inside of shower where jambs meet walls and sill meets rim of tub.

13. Set handle vinyl channel (14) in place over edge of outside glass panel (17) with bottom vinyl in line with bottom of bumper. Tap towel bar brackets (9 & 10) in place. Bracket with pull should be to jamb side of slider opposite shower head. Assemble towel bars (11) to bracket using #6 x 3/8" SMS (13). (See Figure 3)
14. Set handle in vinyl in place over edge of inside glass panel (16) with bottom of vinyl in line with bottom of bumper edge facing the wall jamb. Tap inside door pull (12) in place. NOTE: Large portion of pull to inside of slider.
15. Silicone inside of shower where jambs meet walls and sill meets rim of tub.

15. Silicone inside of shower where jambs meet walls and sill meets rim of tub.



**Figure 4**

**Cardinal**  
SHOWER ENCLOSURES



## INSTALLATION INSTRUCTIONS

MODEL: **TEI/SEI**

Cardinal Series Frameless Bypass  
Tub/Shower Enclosure

# Frameless Enclosures

Model TE-1 Tub Enclosure  
Model SE-1 Shower Enclosure

<u>Model #</u>	<u>Width</u>	<u>Inline Panel</u>	<u>Height</u>	<u>Max. Glass Size</u>
TE-1 72	42" to 60"	12"	57 3/8"	2-30" x 55" & 12" x 55 3/8"
TE-1 84	42" to 60"	24"	57 3/8"	2-30" x 55" & 12" x 55 3/8"
SE-1 72	42" to 60"	12"	70 3/8"	2-30" x 68" & 12" x 68 3/8"
SE-1 84	42" to 60"	24"	70 3/8"	2-30" x 68" & 12" x 68 3/8"

## Breakdown Chart for Special Height and Width TE-1 & SE-1 Units

<u>QTY.</u>	<u>Part# &amp; Description</u>	<u>How to arrive at measurement</u>
1	ZTE-1201 Header	Unit width minus 1/16"
1	ZTE-1203 Side Jamb	Unit height minus 1 1/8"
1	ZTE-1222 Bottom Track	Slide width minus 7/16"
2	ZTE-2205 Towel Bars	Glass width (see chart above) minus 14"
1	ZTE 1218 Inline Post	Unit height minus 1 1/8"
1	ZD 1006 Curb	Unit width minus slider width
1	ZD 1006 Back all vertical	Unit height minus 2 1/16"
<u>Glass</u>		
2	Slider width height	Unit width minus panel width, divided by 2 Unit width minus 2 3/8"
1	Stationary panel width height	Unit width minus slider width minus 1" Unit height minus 2"