



SHOWER SPECIFICATIONS

Cardinal Shower Enclosures

4795 Shepherdsville Road, Louisville, KY 40218

Tel: 502-969-4059 | Fax: 800-313-4195 | Web: www.cardinalshower.com

SERIES

EURO SERIES SLIDING DOOR ENCLOSURE

UNIT

TESE 60-70

Unit Features

- Euro Style Header
- Semi-Frameless Enclosure
- 1/4" Slider Glass
- True Bypass Doors
- Through-the-glass towel bar and knob
- Doors Overlap Between 1" to 3"

Aluminum Extrusions

Cardinal Shower Enclosures, manufactured by Hoskin & Muir, Inc., are fabricated with extruded 5000 and 6000 series billet. All exposed surfaces are polished before anodizing in the Cardinal line. Powder Coated and Satin units may be extruded with the same alloy and temper used for anodized metal.

Code Compliance

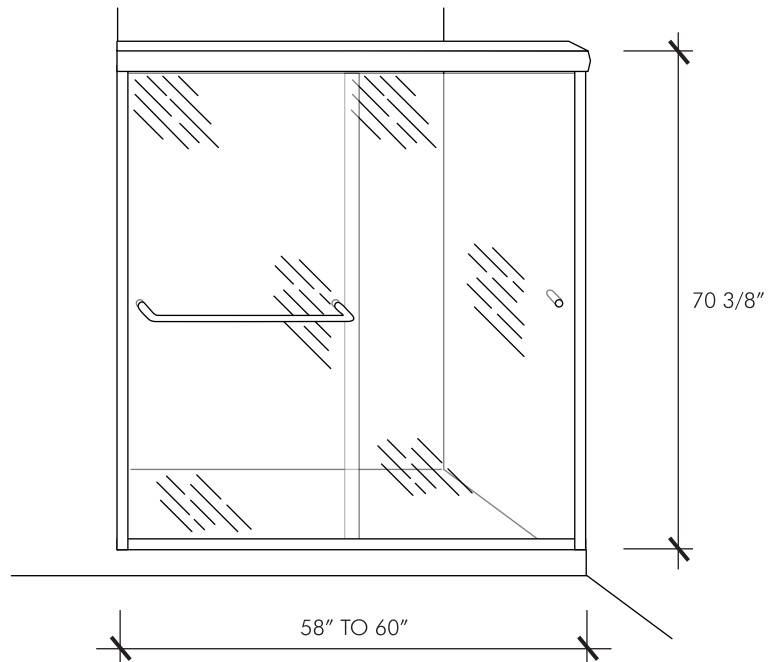
- ANSI Z.97.1 (Tempered Glass)
- CPSC 16CFR1201 II (Glazing Materials)
- ASTM C1048-85 (Anodized Finishes)
- USFS DD-G-1403B (Tempered Glass)

Colors/Finishes Available

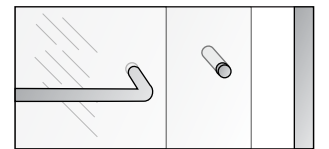
- Brushed Nickel
- Chrome
- Gold
- Oil Rubbed Bronze
- Roman Bronze
- Satin
- White
- Over 60 Powder Coat Finishes

Glass Colors/Patterns Available

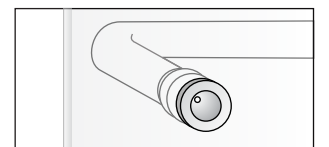
- 1/4" Clear, Obscure or Rain
- Additional patterns and colors available



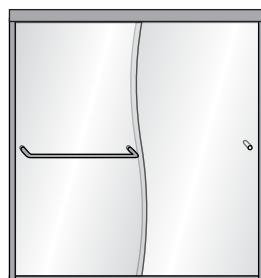
DRAWINGS NOT TO SCALE



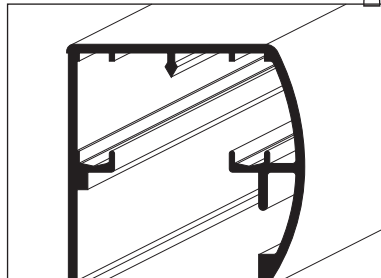
Standard Through-the-Glass Towel Bar & Knob



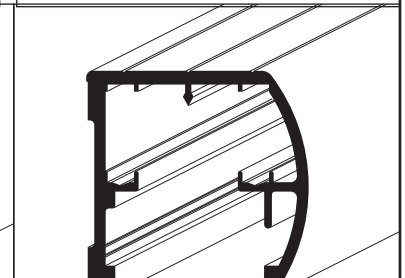
Optional Recessed Finger Pull



Optional Cardinal S-Curve



Traditional Euro Header: ZTE 5201



Euro Header: ZTE 1601